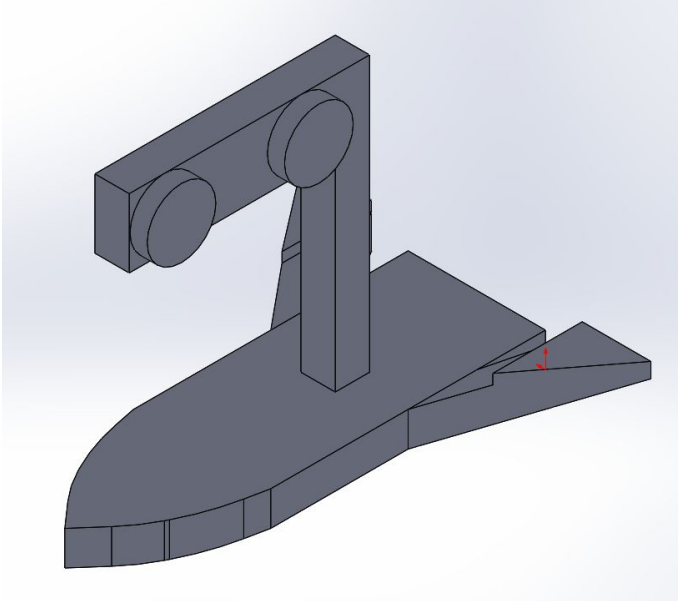


Team P- CARJ



- Part: rounded front tip for the AEV
 - Aerodynamic- like the tip of an airplane
 - Conserves energy because it cuts through the air better
 - Saves money because it uses less energy