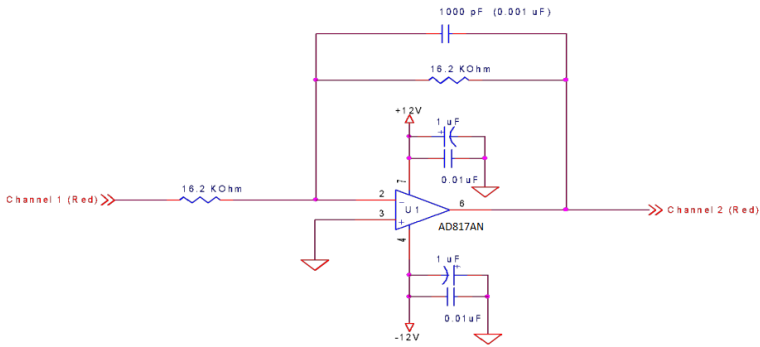
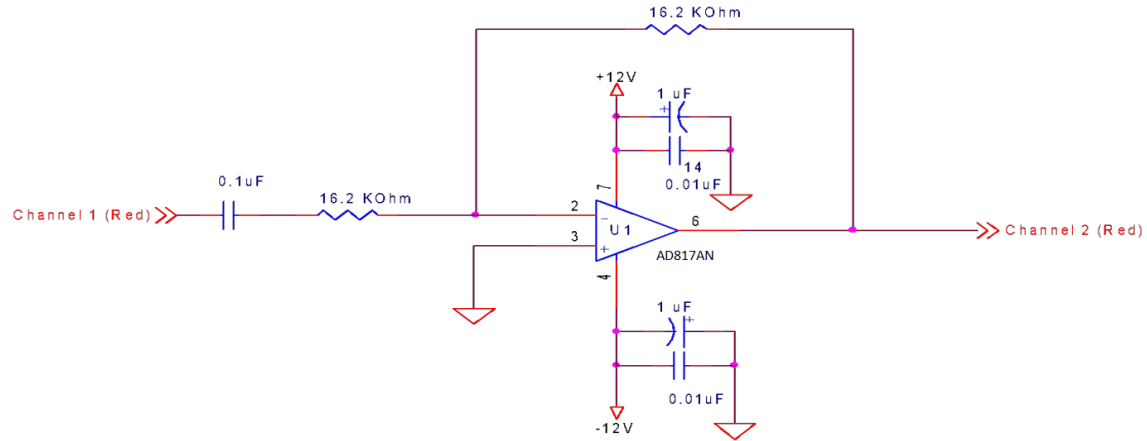


Lab 5 Schematics

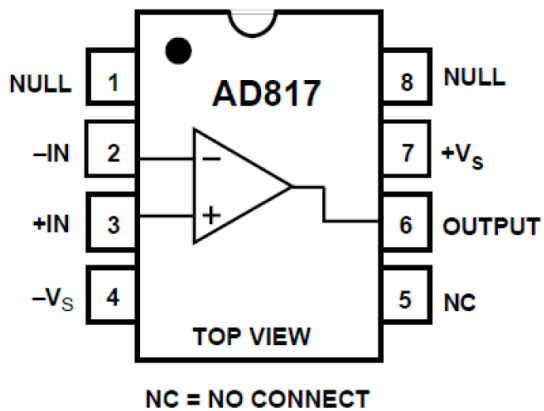
Low Pass Filter



High Pass Filter



AD817AN Op Amp Pinout



Band Pass Filter

