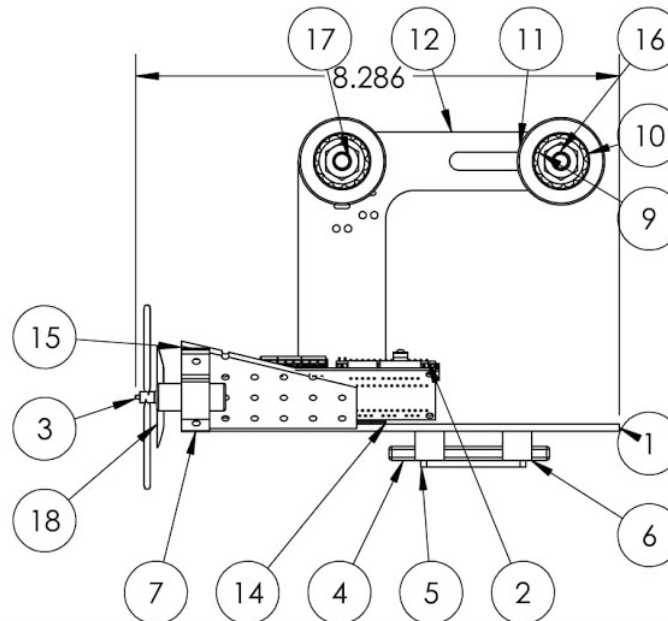
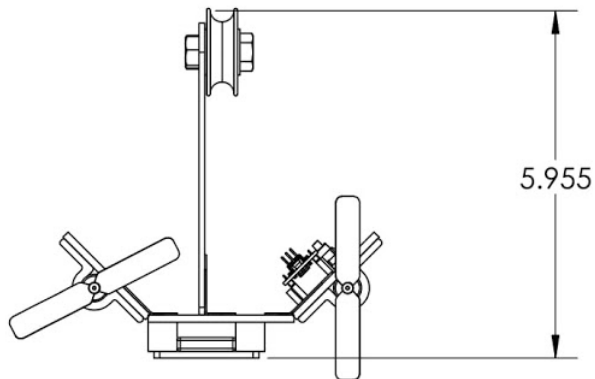


ITEM NO.	PART NUMBER	DESCRIPTION	QTY.
1	Large Rectangle	Plastic base	1
2	AEV Arduino Assembly	Circuit board and ports	1
3	AEV Motor	Metal motor	2
4	Battery	Lithium battery	1
5	Battery Pack Clamp Plate	Lightweight plastic plate	1
6	Battery Spacer	Plastic cylinder spacers	4
7	Motor Mount Clip Aluminum	Plastic brackets	2
8	Ball Retainer Inner Sleeve	Plastic ring on wheel	2
9	Ball Retainer Outer Sleeve	Plastic ring on wheel	2
10	Ball	Plastic balls in bearing	48
11	Housing w-reflective tape	Outer plastic casing	2
12	Support Arm 2 2 Sensor Holes	Plastic support atm	1
13	45-deg bracket	Metal bracket	4
14	90-deg bracket	Metal bracket	2
15	Right Trapezoid	Plastic base	2
16	MSHXNUT 0.3125-18-S-S	Plastic nut on wheel	2
17	HBOLT 0.3125-18x0.875x0.875-S	Plastic bolt for wheel	2
18	Prop 3inch	2 prop plastic propellor	2

Weight: 268 grams

Estimated cost: \$150,000



The Ohio State University
First Year Engineering

Dwg. Title: AEV Design 1
Drawn By: Group Q

Scale: 1:3

Inst.: Dr. Bixler

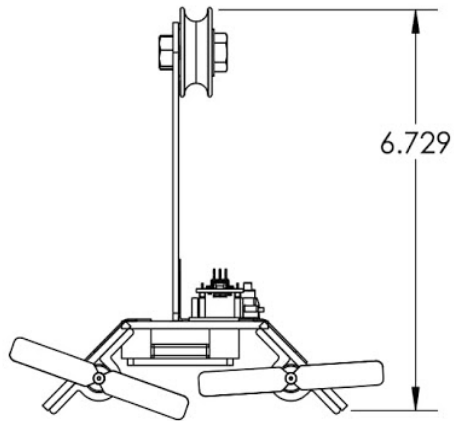
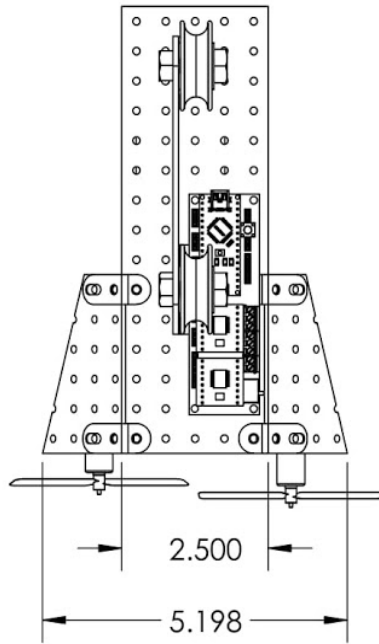
Units: IPS

Dwg. No.: 1

Hour: 9:10

Seat: Q

Date: 03/21/2018



ITEM NO.	PART NUMBER	DESCRIPTION	QTY.
1	Large Rectangle	Plastic base	1
2	AEV Arduino Assembly	Circuit board and parts	1
3	AEV Motor	Metal motor	2
4	Battery	Lithium battery	1
5	Battery Pack Clamp Plate	Lightweight plastic plate	1
6	Battery Spacer	Plastic cylinder spacers	4
7	Motor Mount Clip Aluminum	Plastic brackets	2
8	Pulley Assembly w-reflective tape	Plastic wheels, ball bearings, tape	2
9	Support Arm 2 2 Sensor Holes	Plastic support arm	1
10	90-deg bracket	Metal bracket	2
11	Right Trapezoid	Plastic base	2
12	machine screw nut hex_ai	Plastic nut for wheel	2
13	hex bolt_ai	Plastic bolt for wheel	2
14	Prop 3inch	2 prop plastic propellor	2
15	45-deg bracket	Metal bracket	4

Weight: 268 grams

Estimated cost: \$150,000

