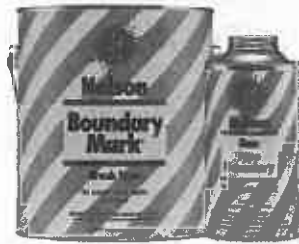


HOW TO MARK YOUR WOODLOT BOUNDARIES

It is highly recommended before you have any silvicultural practices performed in your woodlot that you mark your boundaries. In fact, it is required before your property is entered under the OHIO FOREST TAX LAW. This is for your protection, to avoid trespassing and timber theft problems.

If you are unsure of exactly where the boundaries are, it may pay to have the land surveyed. It could save you expensive litigation in the future.

1. Begin by accessing tax maps, and / or deed at the county courthouse where the property lies. In some cases, aerial photographs with topographic lines can be obtained with property boundaries overlaid, and ownership names, parcels and acreages included. Your deed will tell you what you are looking for at corners as well as how far, and in which direction to go to each corner marker, etc.
2. Ribbon your boundaries first, by evidence you find, and then get with your neighboring property owner(s) to verify property line locations. Once in agreement, by evidence, proceed to step three. If agreement is not reached, or evidence is absent, you will likely need to pursue a licensed surveyor to re-establish the existing line(s) in question.
3. Purchase a quality oil based paint. Traffic paint or boundary paint is recommended. ***Aerosol paints should not be used, as they fade rapidly.***
4. Using a 4-inch brush, paint a blaze about the size of your hand on both sides of the tree at about eye level. Place the marks on the tree in the direction of the line. If there is no tree on the line, locate a tree that is within 6 feet of the property line without going over it. Paint a blaze facing the line on trees that do not stand directly on the boundary line. On rough bark trees, you may want to scrape the bark first. Try not to go so deep with the blaze as to damage the soft inner bark, if this occurs, the blaze should still be painted and the tree will be fine.
5. Move down the line about 66 feet (also known as 1 chain) and paint another tree or post. They need to be this close so they can be seen in the summer when everything is in full leaf. If you have a large opening with no trees near it, set a post and paint it as above.
6. At the corners, paint three blazes one above the other, again in the directions the boundary line intersects the tree, or post, etc. In the case of a true corner tree you would have a minimum total of six paint spots on it in two rows of three. It is also advisable to mark at least one witness tree facing the corner pin or tree. This should be done to draw attention to the corner location.
7. You will probably have to refresh these marks every three to five years. The boundaries should be viewed prior to five years to make sure the boundary is still visible. In areas that receive greater amounts of sunlight the paint may only last three or four years. **For Ohio Forest Tax Law you must have the boundaries remarked prior to the scheduled five-year re-inspection by the Service Forester.**



Nelson Super Spot Tree Marking Paint
Solvent-Based

1207

Resists settling, even after long storage. Requires minimal stirring or straining and helps eliminate plugged guns and wasted paint. High visibility, does not absorb into bark. Visibility of smaller marks, even at a distance, is greater than large marks with ordinary tree marking paints. Long lasting, no re-marking problems. Quality-controlled and carefully checked to assure consistent high quality. Solvent-based paint. Operating temperature: -40°F to +120°F.

Nelson Boundary Mark Boundary Paint
Solvent-Based

1207

Designed to make bright, long-lasting marks on boundaries, witness trees, research plots, nest trees. Quart cans of paint are thinner viscosity with a typical life of three to five years. Gallon cans of paint are thicker, for brush application. Typical life is five years and up. Gallon cans have friction tops and are designed for use with a paint brush. Solvent-based paint. Operating temperature: -40°F to +120°F.

Nelson Econo Spot Tree Marking Paint
Solvent-Based

4459

Provides a bright economical short-term mark which has high hiding power and stands out brightly in dense forest thanks to its non-absorbing formulation. Made specifically for the forest industry, these paints can be applied in all weather, from -20°F to +110°F. Longevity: up to 2-3 years.

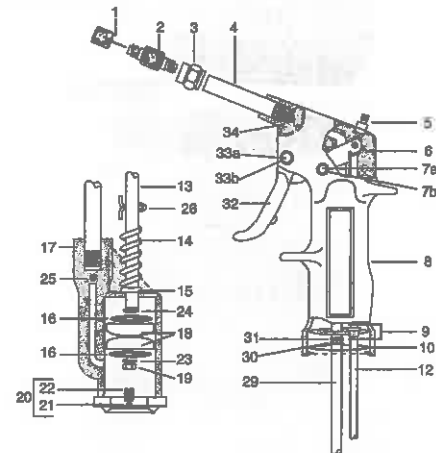
Nelson Tree Marking and Boundary Paint

	Colors						Quart Cans			Gallon Cans		
	White	Purple*	Blue	Red	Yellow	Orange	Each	12+	120+	Each	4+	32+
Tree Marking	57666		57665	57668	57655	57654	\$9.85	\$9.35	\$8.35			
			57669							\$24.50	\$23.25	\$21.50
				57672	57657	57656				\$26.40	\$24.70	\$21.20
Boundary			57674	57678	57659	57658	\$14.10	\$13.25	\$11.55			
				57678	57659	57658	\$14.40	\$13.65	\$11.95			
			57680							\$32.85	\$30.35	\$27.25
	57679	57675		57684	57639	57638				\$36.25	\$34.75	\$31.25
Econo Spot			57621		57622	57623				\$22.75	\$21.75	\$19.50

*Some states accept Purple Boundary Paint and markings for designating boundaries and No Trespassing Markings. Please consult your state and local laws for more information. Note: Quantity discounts apply to same-color orders. Call for quote on larger quantities.

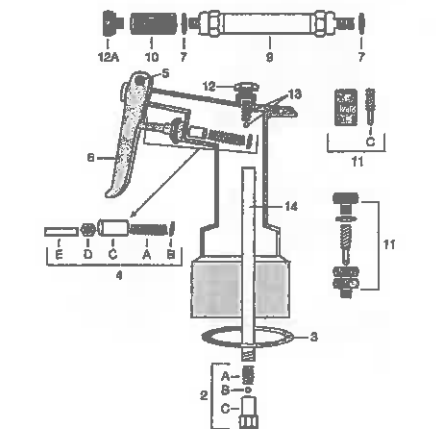
Replacement Parts For Nel-Spot Tree Marking Guns

Part #	Description	SN	Each
1	HW-41D Nozzle Cap	55834	\$6.00
2	HW-59 1 piece Reversible Nozzle, 0.021 nickel finish	55835	\$5.00
2	HW-59 1 piece Reversible Nozzle, 0.029 brass finish	55878	\$5.00
3	HW-61 Retaining Sleeve	55836	\$8.20
4	HW-51 Extension Tube, 3"	55837	\$8.20
5	HW-42 Nozzle Cap Holder	55838	\$21.95
6	HW-417 Trigger Link	55839	\$11.40
7a	HW-15 Trigger Link Pin	55879	\$4.10
7b	HW-15-1 Retainer Ring (2 req.)	55880	\$1.95
9	HW-413LT Spacer Disc Assembly	55903	\$5.95
10	N-202 Container Gasket	55860	\$1.95
12	HW-414LT Upper Piston Rod	55906	\$11.50
13	HW-50 Lower Piston Rod	55846	\$8.95
14	A-26-A Spring	55847	\$1.95
15	HW-13 Piston Rod Washer	55848	\$1.95
16	HW-46 Washer	55849	\$1.95
17	HW-49 Plastic Cylinder	55850	\$30.95
18	HW-47 Cup Leather	55851	\$3.25
19	SS-700 Hex Nut	55852	\$1.95
20	HW-411A Intake Valve Assembly	55853	\$16.50
21	SS-155Z Intake Valve Steel Ball	55854	\$1.95
22	HW-26 Intake Valve Spring	55855	\$1.95
23	SS-367Z Lock Washer	55730	\$1.95
24	HW-45 Washer	55857	\$1.95
25	SS-150B Steel Ball	55790	\$1.95
26	SS-595 Cotter Pin	55859	\$1.95
29	HW-39LT Fluid Tube	55907	\$14.80
30	SS-983Z Retainer	55863	\$1.95
31	SS-2666 O-Ring	55864	\$1.95
32	HW-3 Metal Trigger	55865	\$62.95
32	HW-3PLT Plastic Trigger	55908	\$36.50
33a	HW-16 Trigger Pin	55881	\$4.50
33b	HW-16-1 Snap Ring (2 req.)	55882	\$1.95
34	SS-731Z Gasket	55867	\$8.10



Replacement Parts For Idico Tree Marking Guns

Description	SN	Each	
2	Intake Housing & Screen Assembly	55810	\$7.50
3	Container Gasket for 55579	55815	\$1.80
3B	Container Gasket for 55807	55860	\$1.95
4	Valve Assembly Unit (Complete)	55816	\$12.25
5	Trigger Pin	55822	\$1.20
6	Trigger	55823	\$4.50
7	Washers-1 doz. All Connections	55824	\$3.95
9	Straight Extension	55826	\$6.50
10	Pin Stream Nozzle	55827	\$2.75
11	Optional Fog Nozzle Unit	55869	\$8.50
12	Nozzle Cap Holder w/Washer	55828	\$2.20
12A	Nozzle Cap	55874	\$2.00
13	Top Ball Check (Ball Bearing, Spring & Gasket)	55829	\$3.95
14	Intake Tube (for 55579)	55830	\$3.95
14	Intake Tube (for 55807)	55886	\$3.95



Ⓢ Extra Charge if Shipped by Air.